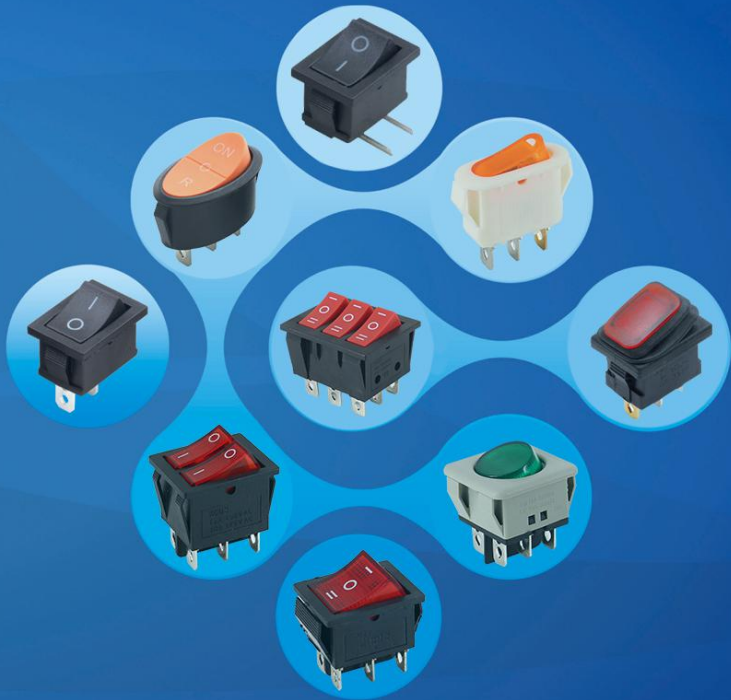


» PROFESSIONAL MANUFACTURER OF
SWITCHES AND SOCKETS
专业开关、插座制造商


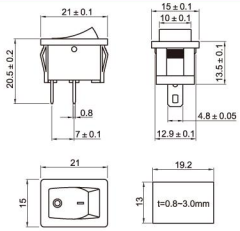

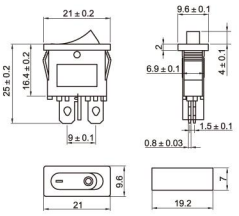

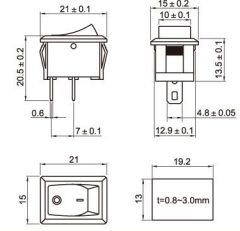

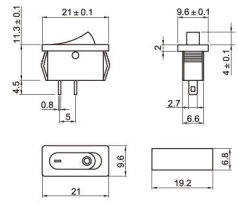

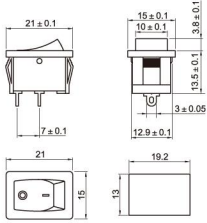

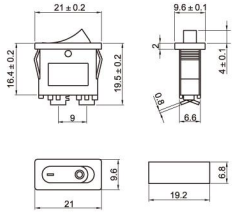

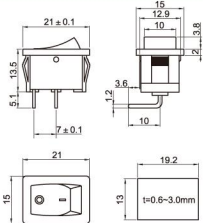

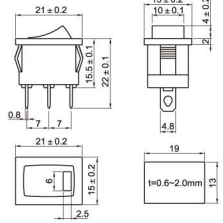


乐清市维诺尔电子科技有限公司

Yueqing Weinuoer Electronic Technology Co., Ltd.

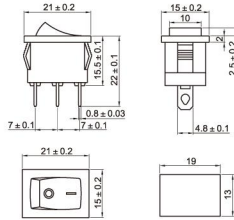
KCD 船型开关系列主要技术指标 Specification of KCD Boatlike Switch Series

- 环境温度 Environmental Temperature: -25 ~ +70℃
- 额定电负荷 Rated Load: AC125V 10A AC250V 6A
- 相对湿度 Relative Humidity: (40℃) ≤ 95%
- 耐 电 压 Withstand Voltage: AC 500V 50Hz/1min
- 接触电阻 Contact Resistance: ≤ 0.05Ω
- 电气寿命 Electric Life: 10000 Cycles Min
- 绝缘电阻 Insulation Resistance: ≥ 100MΩ

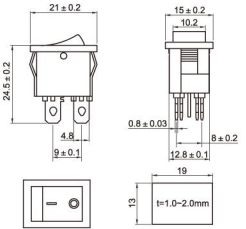
 <p>KCD1-101 (平面)</p> 	 <p>KCD1-101/B</p> 
 <p>KCD1-101 (斜面)</p> 	 <p>KCD1-101/B 小脚</p> 
 <p>KCD1-101 (短脚)</p> 	 <p>KCD1-101/B 短脚</p> 
 <p>KCD1-101 (弯脚)</p> 	 <p>KCD1-101/N 猫眼</p> 



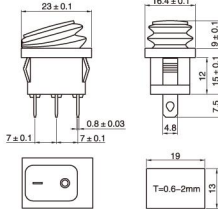
KCD1-101N



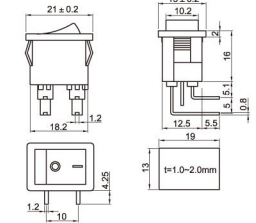
KCD1-201



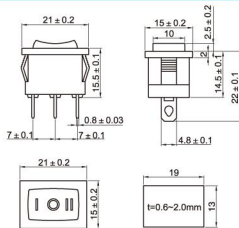
KCD1-101N/HS



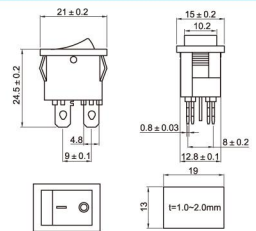
KCD1-201 (弯脚)



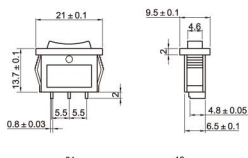
KCD1-103



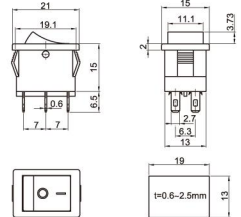
KCD1-201N



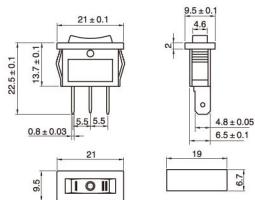
KCD1-103 (小脚)



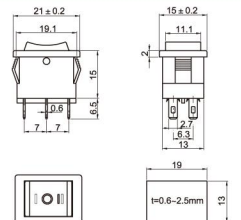
KCD1-202

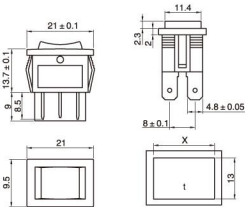


KCD1-103 (扁形)

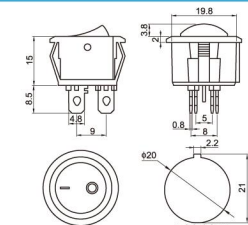


KCD1-203

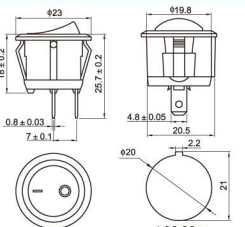




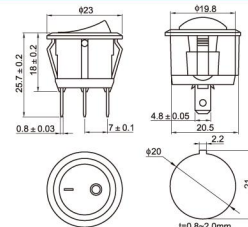
KCD1-203/F



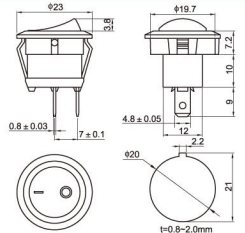
KCD2-101N/B



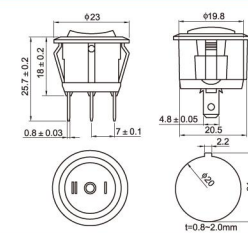
KCD2-101



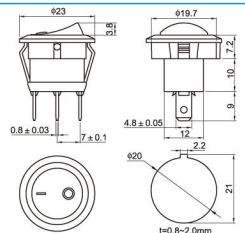
KCD2-102



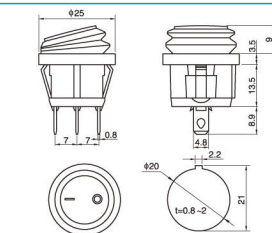
KCD2-101-2



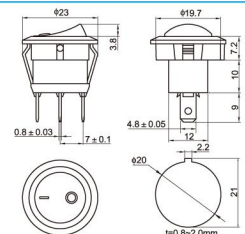
KCD2-103



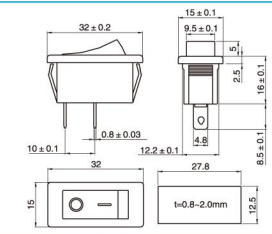
KCD2-101N-2



KCD2-101N/FS



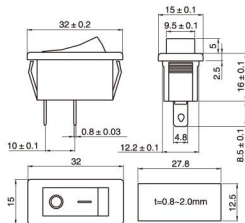
KCD2-101N-2(猫眼)



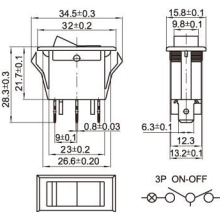
KCD3-101/C



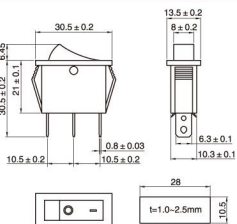
KCD3-101/C



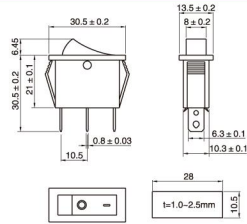
KCD3-101N/B1



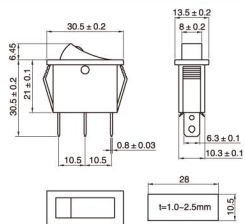
KCD3-101N



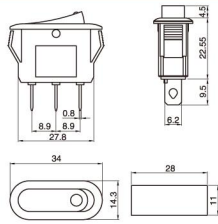
KCD3-101N/C



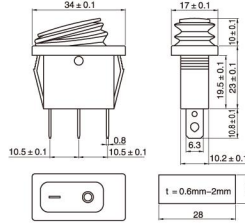
KCD3-101N 猫眼



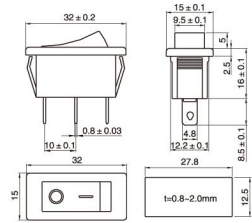
KCD3-101N/C (猫眼)



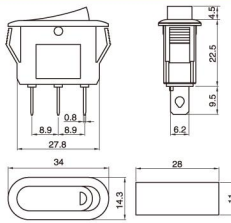
KCD3-101N/FS



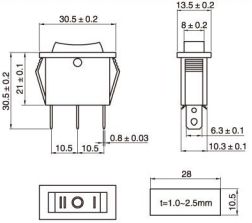
KCD3-101N/D



KCD3-101N/B

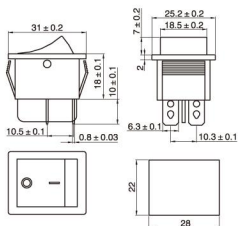


KCD3-103

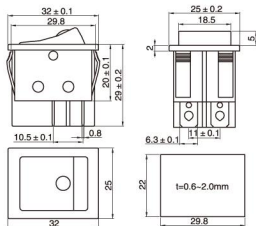




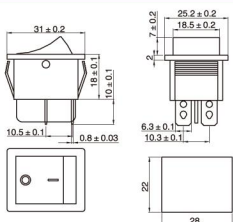
KCD4-201



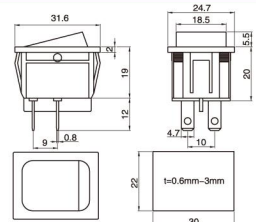
KCD4-201N/D 猫眼



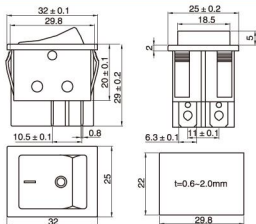
KCD4-201N



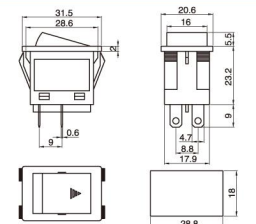
KCD4-201N/C



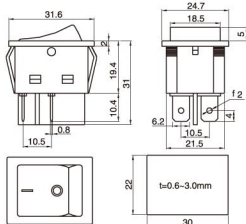
KCD4-201/D



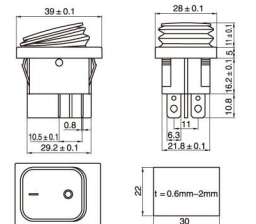
KCD4-201N/E



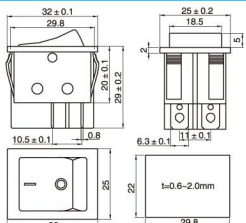
KCD4-201N/B



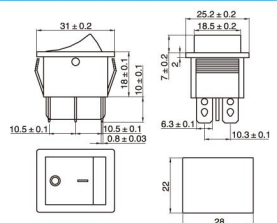
KCD4-201N/HS



KCD4-201N/D

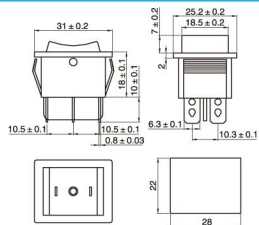


KCD4-202N

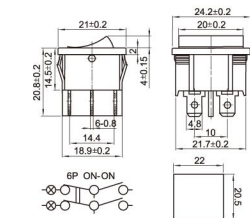




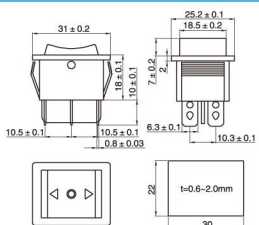
KCD4-203



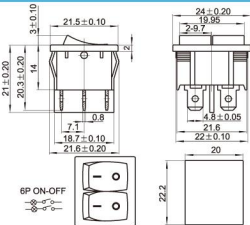
KCD5-201N



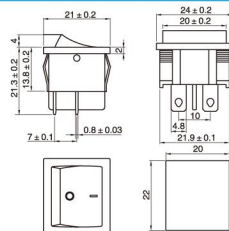
KCD4-203 (双复位)



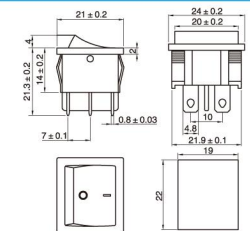
KCD5-201N (双盖)



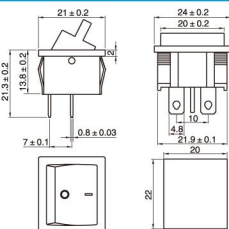
KCD5-201



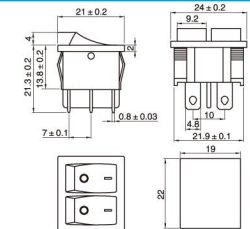
KCD5-202



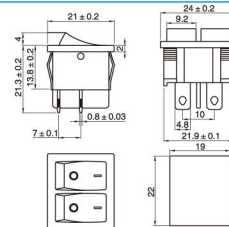
KCD5-201 (扳钮)



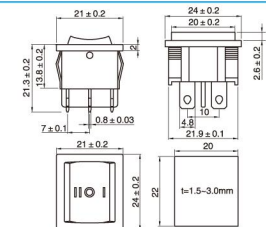
KCD5-202 (双盖)



KCD5-201 (双盖)

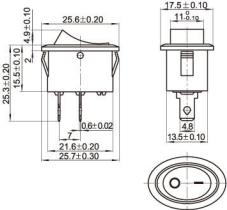


KCD5-203

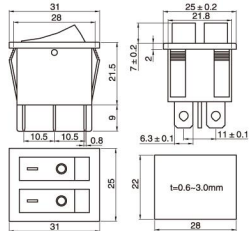




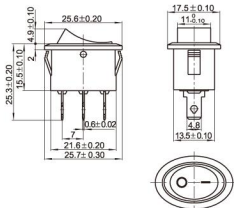
KCD6-101



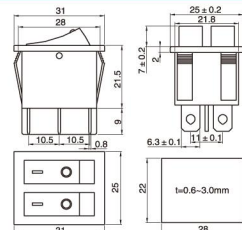
KCD8-221N



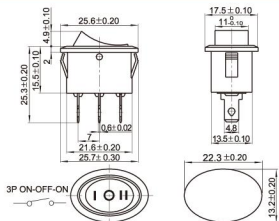
KCD6-102



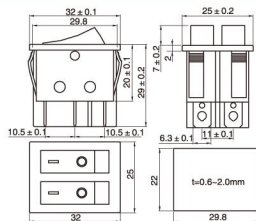
KCD8-221N 猫眼



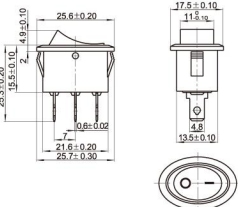
KCD6-103



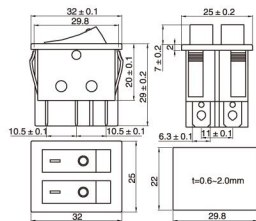
KCD8-221N/D



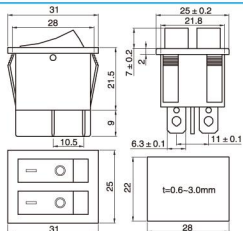
KCD6-104 (带灯)



KCD8-221N/D 猫眼

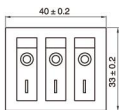


KCD8-221

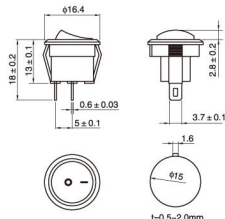


KCD9-301/A

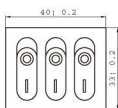




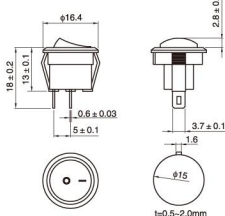
KCD9-301/B



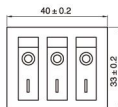
KCD11-101(小圆)



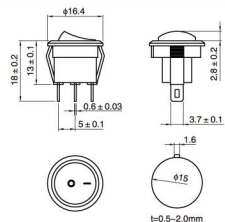
KCD9-301/C



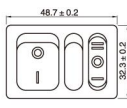
KCD11-101/B(小圆)



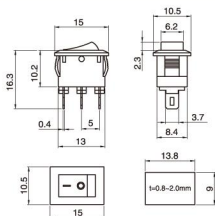
KCD9-301/D



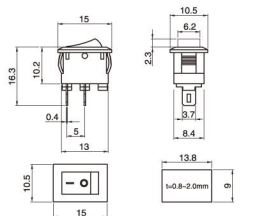
KCD11-101N(小圆)



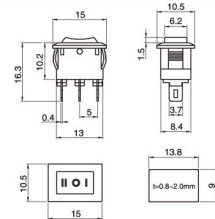
KCD9-301/E



KCD11-102



KCD11-101



KCD11-103



深圳柜台

周先生: 18028765005



深圳办公点

周先生: 18858772221



浙江工厂

金小姐: 18858772220

乐清市维诺尔电子科技有限公司

Yueqing Weinuoer Electronic Technology Co, Ltd.

地址:中国浙江省乐清市虹桥镇仙垟赵工业区

Add: Xianyangzhao Industry zone Hongqiao Yueqing Zhejiang china

电话(Tel): 86-577-62388993 62388983

传真(Fax): +86-577-62388973

Http: //www.wellnowus.com

E-mail: zhoupixia@ 163.com

驻深圳办事处/Office in Shenzhen

地址:中国广东省深圳市华强北都会电子城3楼3b024

Add: 3b024 3/F Duhui Electronic city huaqiang north, ,Shenzhen

电话(el): +86-755-83262397

传真(Fax): +86 755 -88374123

手机: +86- 180287 65005

QQ: 2230367239/1935025089